



The Importance of Equipment Tear Down Inspections in the World of Third Party Audits


Dean Sommer
Wisconsin Center for Dairy Research

Center for Dairy Research *“Solution Based Research Backed by Experience, Passion and Tradition”*





Are equipment tear down inspections still needed in today's world?



A desk is a dangerous place from which to view the world.

— John Le Carre



A Bit of History

Yesterday → **Today**

- WDA inspections
 - USDA inspections
 - Kraft Cheese inspections
- 3rd party audits
 - Customer audits
 - Regulatory audits





HTST – Friend or Foe?



HTST – Friend or Foe?

- Sections of a cheese milk HTST
- Likely burn-on regions
- Importance of ΔT





Separators – Sanitary and Clean?





Jacketed Equipment and Tanks

- What leaks out can leak back in!

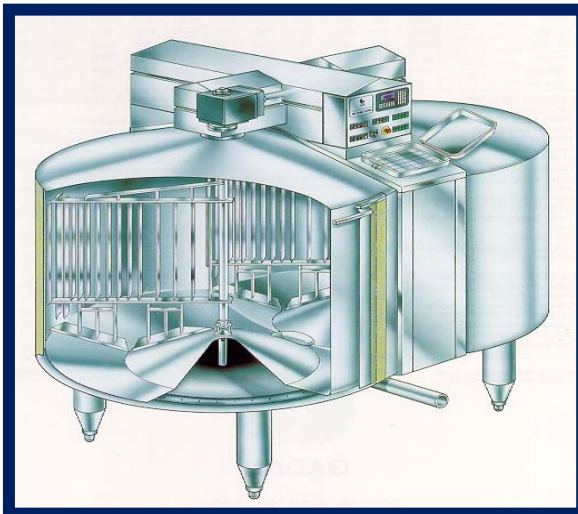


Plate Heat Exchangers

Farm



Dairy Plant





Daily Walk Through Inspections

- Floors, walls, ceilings
- Odors
- Equipment rubbing





Plant Renovation Time: DANGER DANGER!





Conclusion

- Yes, Equipment tear down inspections are a critical part of producing safe and high quality dairy products





Thank You

Wisconsin Center for Dairy Research

Funded by Dairy Farmers through the
Wisconsin Milk Marketing Board,
Dairy Management, Inc.,
and the Dairy Industry

Center for Dairy Research *“Solution Based Research Backed by Experience, Passion and Tradition”*

